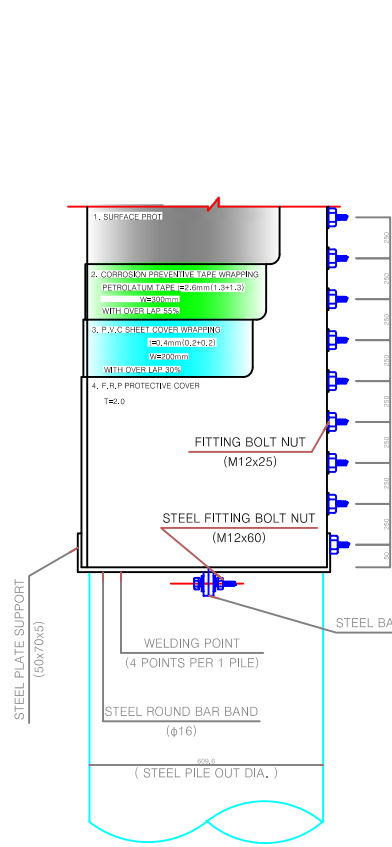
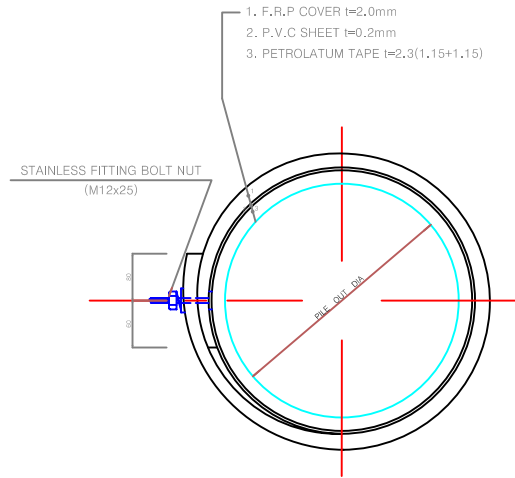


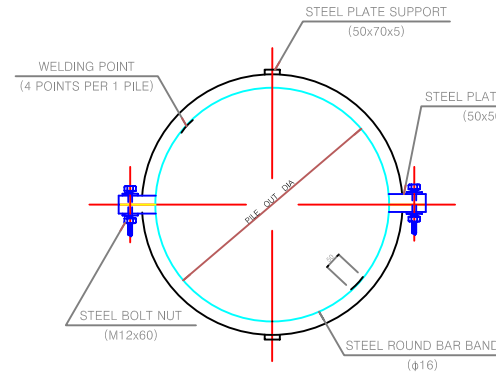
TAPE 방식 설치 상세도



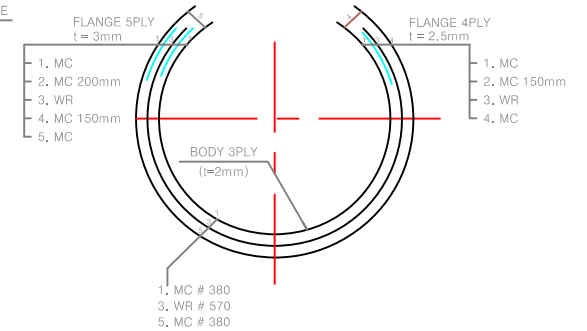
TAPE & F.R.P COVERING SYSTEM DETAIL



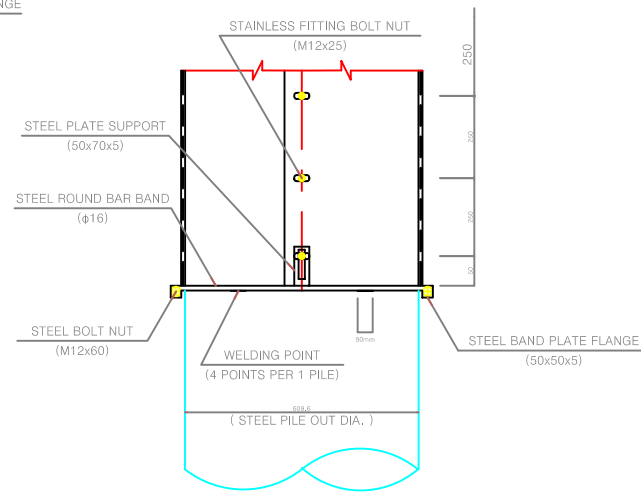
SECTION



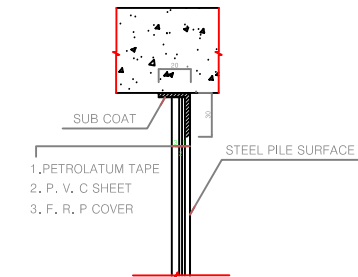
STEEL BAND DETAIL



F.R.P COVER MAT SECTION



FITTING BOLT DETAIL



CONNECTION PORTION DETAIL

- NOTES**
- SPECIFICATION OF F.R.P COVER
1. RESIN : UNSATURATED POLYESTER RESIN
 2. FIBER GLASS : CHOPPED STRAND MAT MC #380
WOVEN ROVING CLOTH #570
- COMPOSITION OF RAMINATION
1. BODY : MC + WR + MC, 3PLY-2t
 2. FLANGE : (1) MC + MC + WR + MC + MC, 5PLY-3t
(2) MC + MC + WR + MC, 4PLY-2.5t