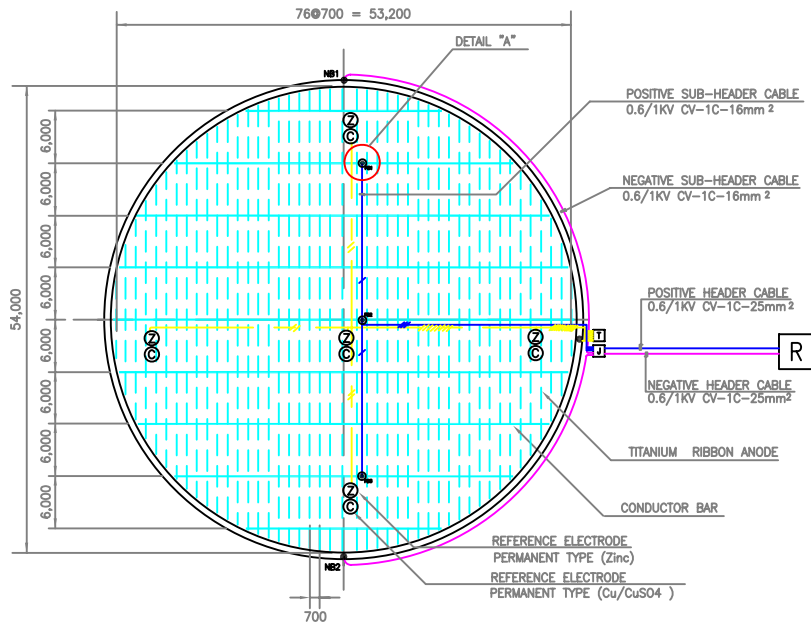
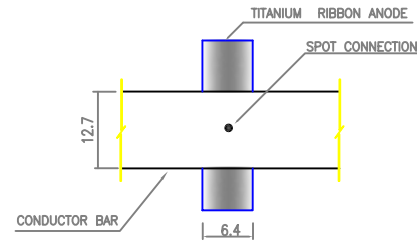


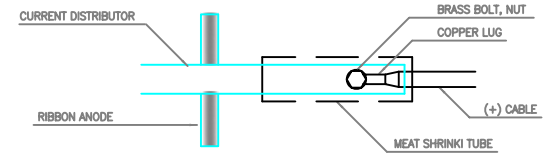
TANK BOTTOM-GRID SYSTEM



ANODE ARRANGEMENT PLAN(TYP.)



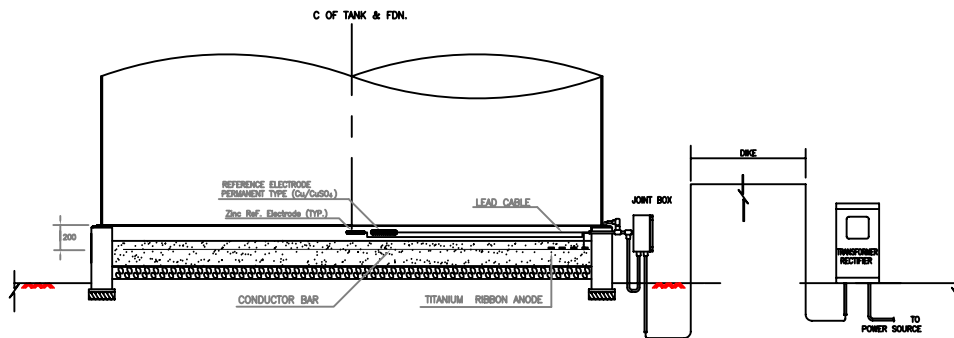
CONNECTION



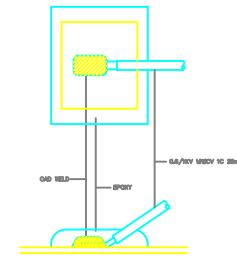
DETAIL "A"

B/M LIST

DESCRIPTION	SIZE	Q'TY	REMARK
정류기	60V, 40A	1대	
MMO RIBBON ANODE	0.25 x 0.025"	3,436M	
전류분배대	0.5" x 0.035"	425M	
SUB-HEADER CABLE	0.6/1KV CV-1C-16mm ²	300M	
HEADER CABLE	0.6/1KV CV-1C-25mm ²	400M	
기준전극	Cu/CuSO ₄	5EA	
	Zn Ref. electrode	5EA	
JUNCTION BOX & TEST BOX		2EA	
CADWELD	#25	5EA	



INSTALLATION OF MESH ANODE(TYP.)



FOR ONE POINT
(BONDING용)

SYMBOL AND LEGEND

- [R] RECTIFIER : DC60V, 40A
- [J] JUNCTION BOX
- [T] TEST BOX
- ⊕ POSITIVE CABLE BONDING (BY BOLT)
- ⊖ NEGATIVE CABLE BONDING (BY CADWELD)
- ⊙ REF. ELECTRODE(STELTH, Cu/CuSO₄)
- ⊗ REF. ELECTRODE(Zinc)