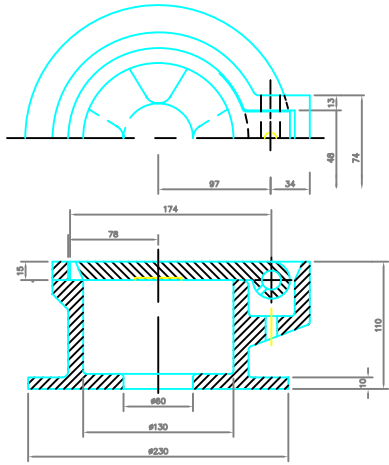
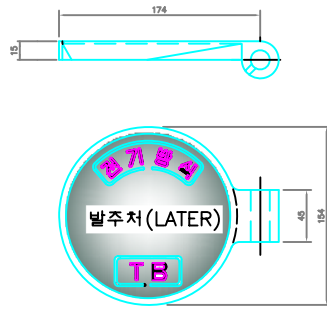


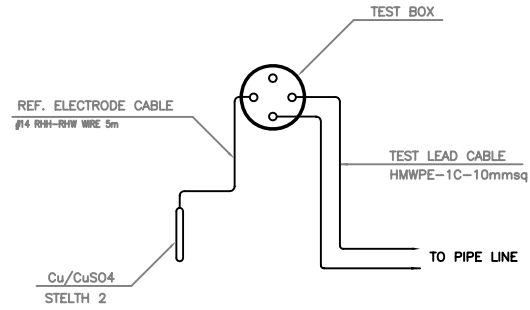
TEST BOX(측정함)



BODY VIEW

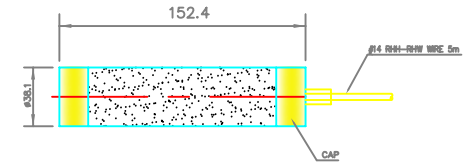


COVER VIEW

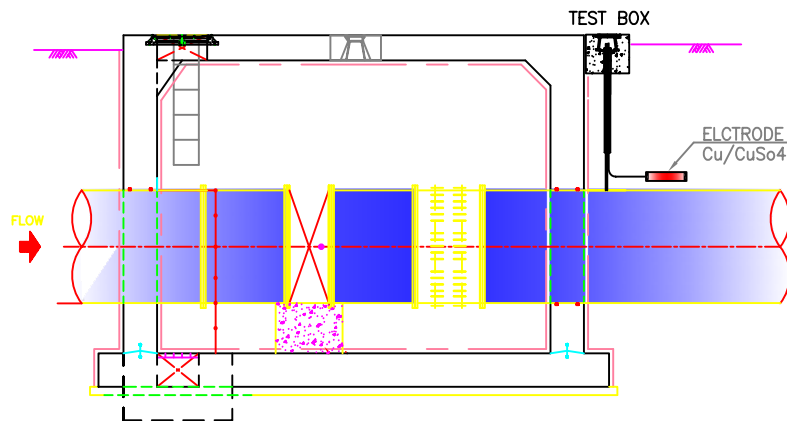


WIRING DIAGRAM

REF. ELECTRODE(Cu/CuSO4)



측정함 설치도



CAD WELDING

