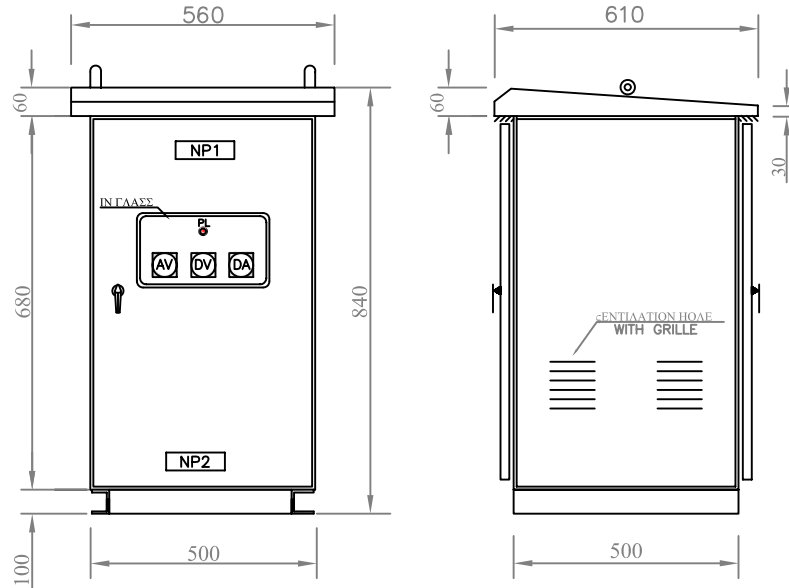


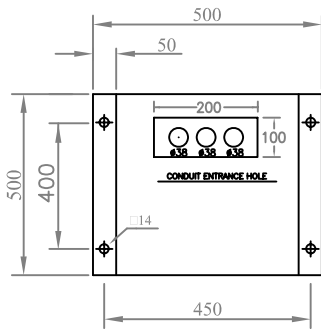
전기방식용 수동 정류기

RECTIFIER CABINET

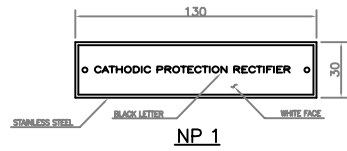


FRONT VIEW

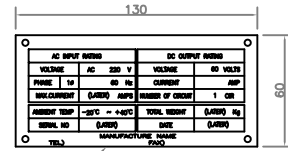
SIDE VIEW



BOTTOM VIEW



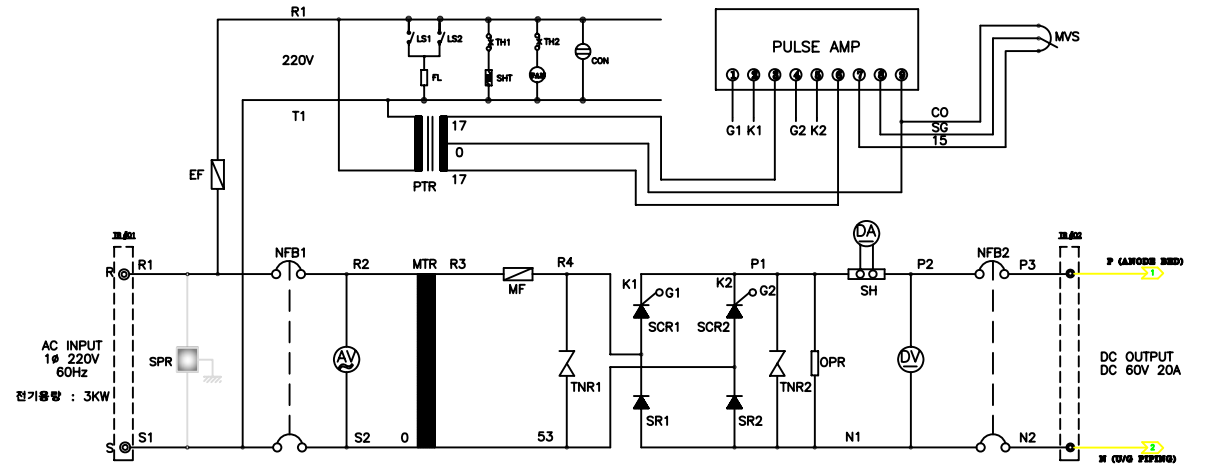
NP 1



NP 2

NAME PLATE

SCHEMATIC DIAGRAM



PART LIST

NO	SYMBOL	DESCRIPTION	SIZE
1	NFB 1	AC INPUT NFB	50AF-30AT-2P
2	MTR	MAIN TRANSFORMER	1φ 3KVA
3	PTR	AUX TRANSFORMER	220V, 17.0.17 300VA
4	AV	AC INPUT VOLTMETER	0-300V
5	PL	POWER ON LAMP	AC 220V 30φ
6	MF	MAIN FUSE	600V 50A
7	EF	CONTROLL FUSE	500V 4A
8	SCR1-SCR2	SCR	600V, 50A
9	SR1-SR2	DIODE	600V, 50A
10	SH	DC SHUNT	75A 50mV
11	DA	DC OUTPUT CURRENT METER	0-60A
12	DV	DC OUTPUT VOLTMETER	0-100V
13	NFB 2	DC OUTPUT NFB	100AF-50AT-2P
14	CON	CONCENT	220V 5A
15	OPR	RESISTANCE	150W 200Ω
16	THS	THERMO SWITCH	0-90°C
17	FAN	COOLING FAN	AC 220V, 18W
18	TNR1~2	SURGE ABSORBER	15G, 151K
19	SHT	SPACE HEATER	
20	SPR	POWERSURGE PROTECTOR	800V 40KA(HTC P40K-220S)